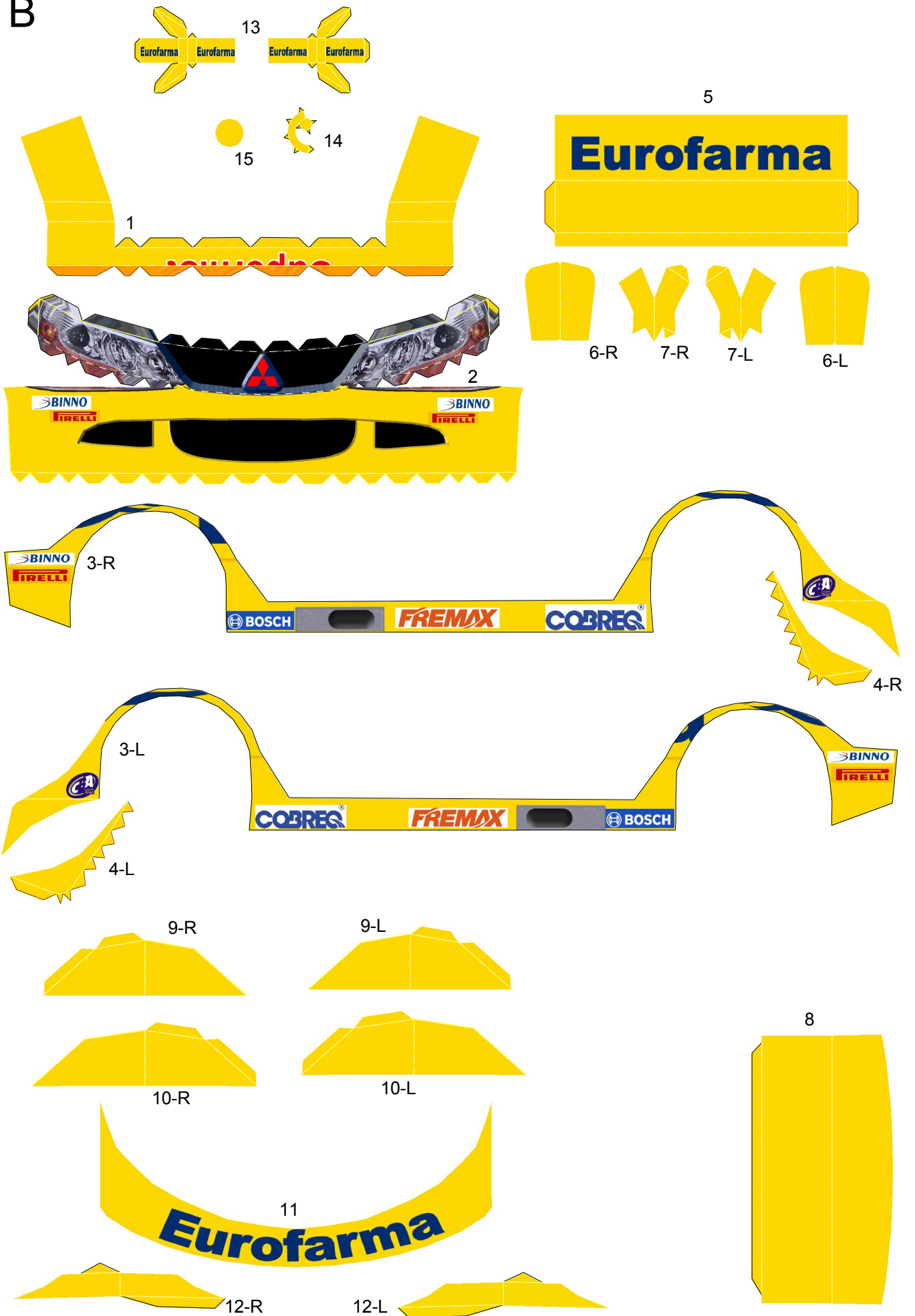


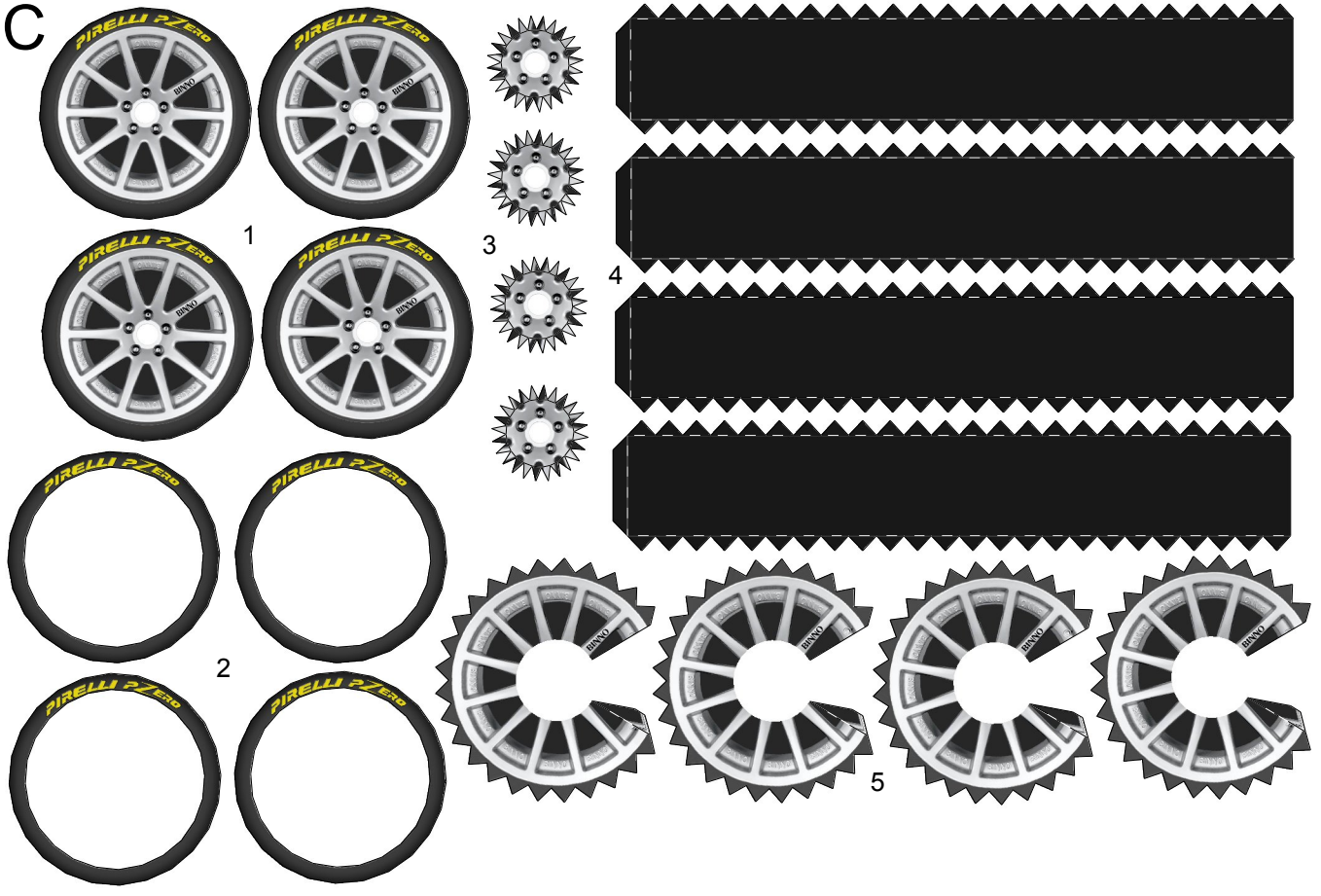
A



B



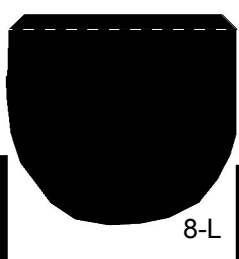
C



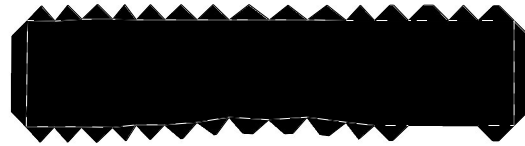
10-R



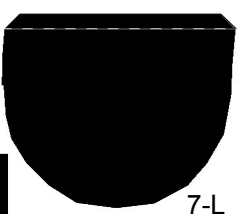
10-L



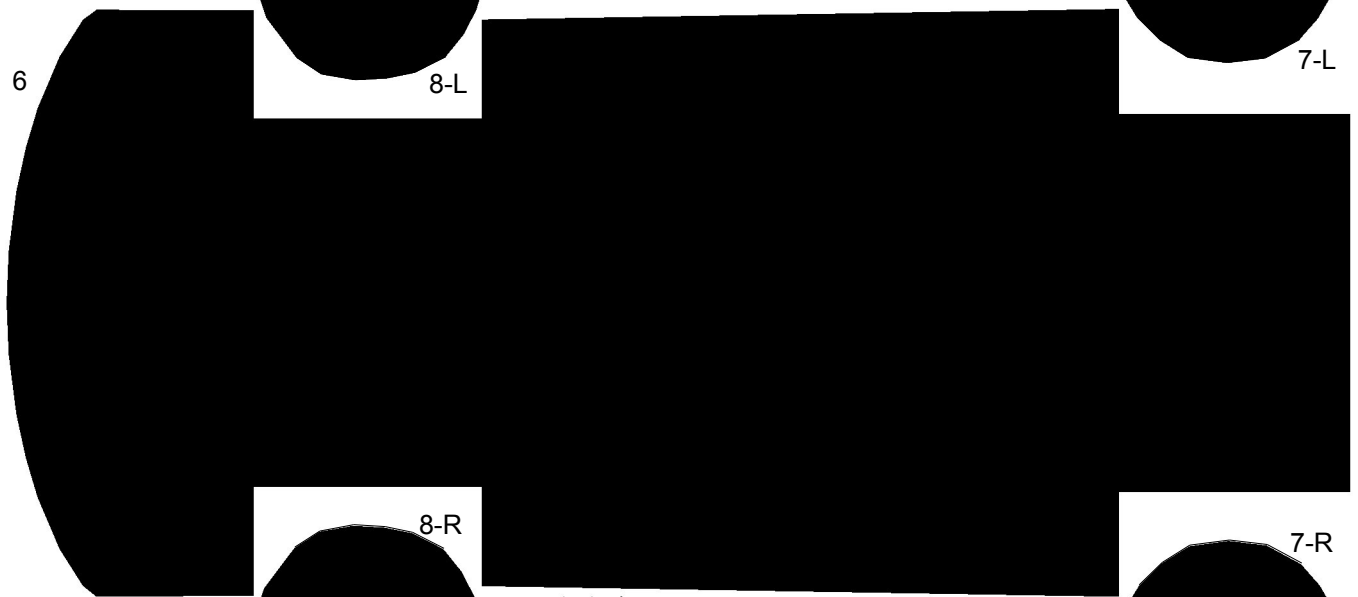
8-L



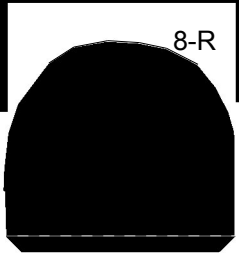
9-L



7-L



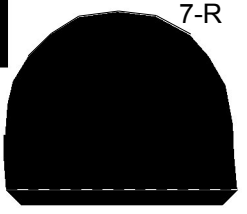
6



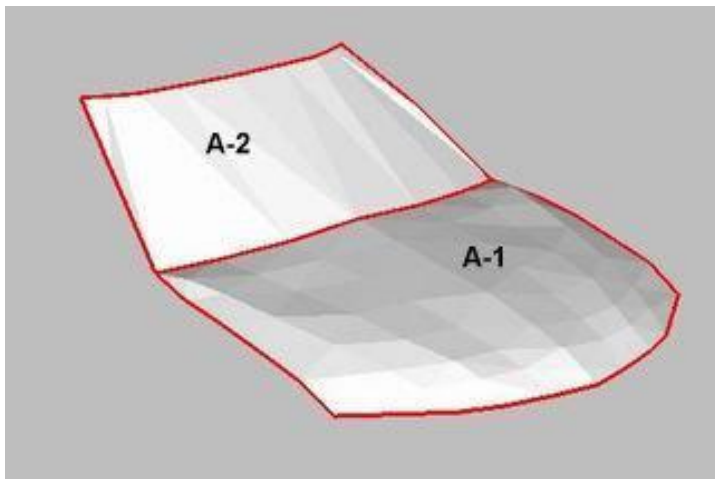
8-R



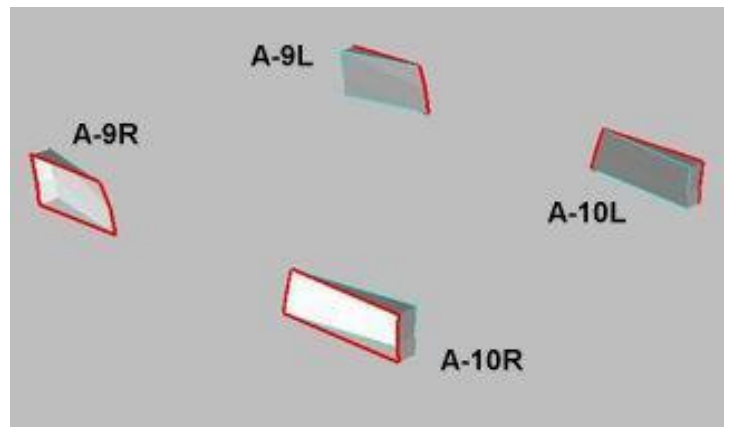
9-R



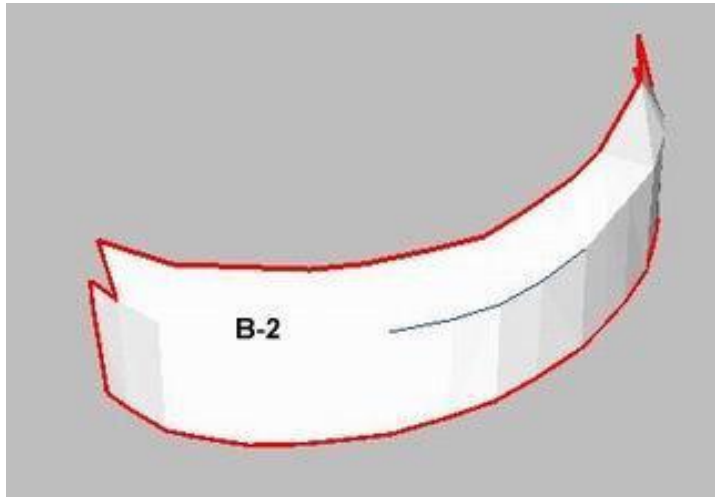
7-R



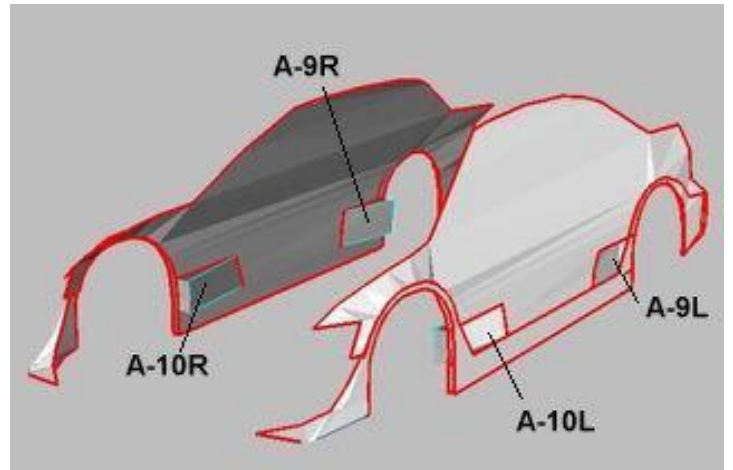
step001



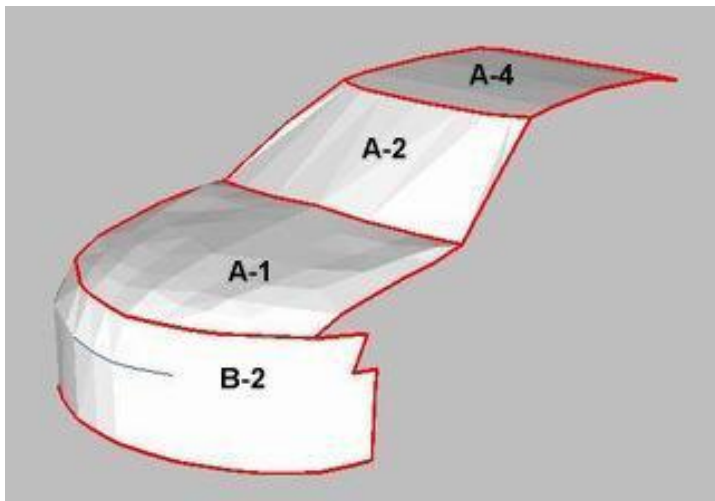
step005



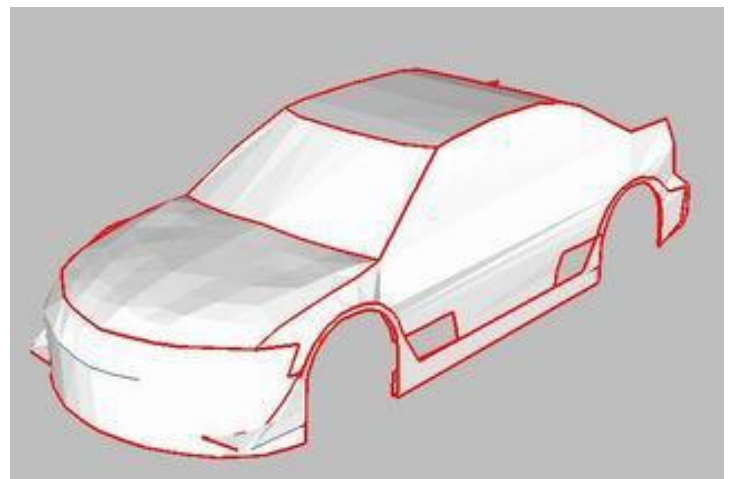
step002



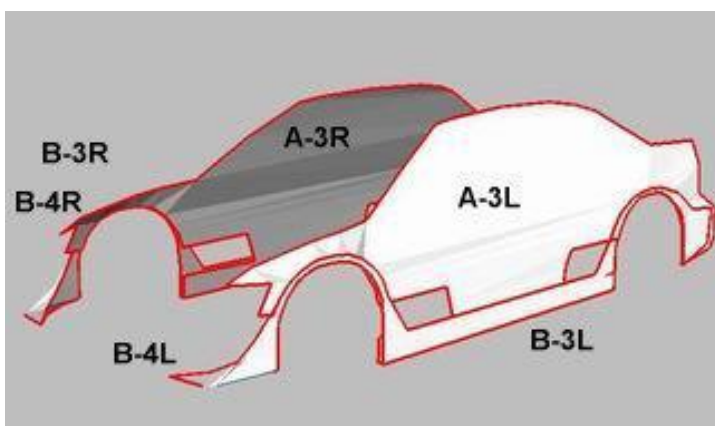
step006



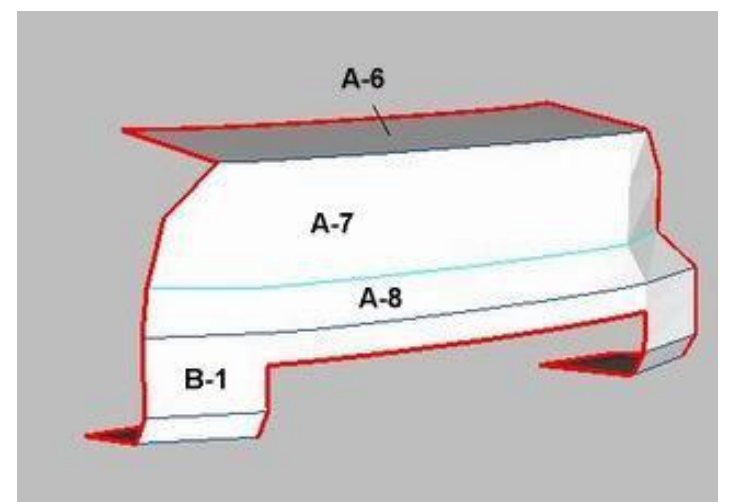
step003



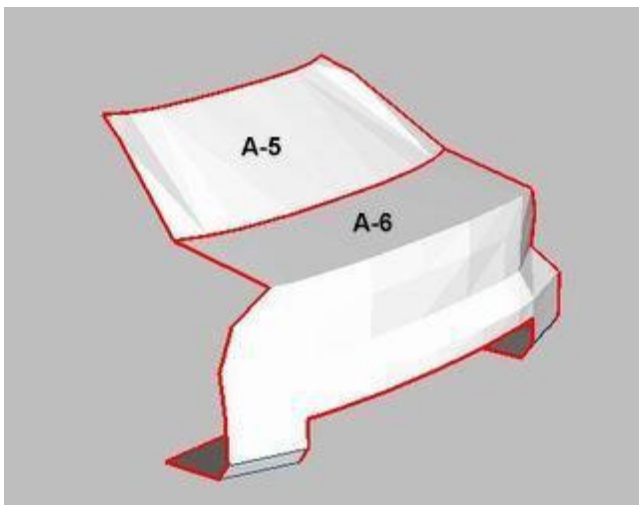
step007



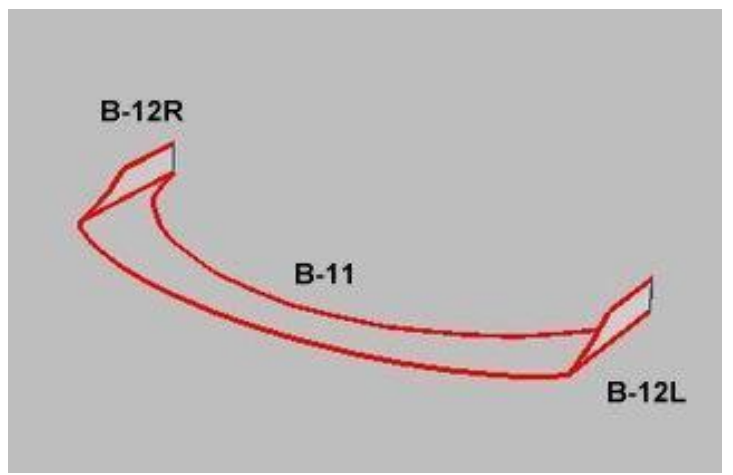
step004



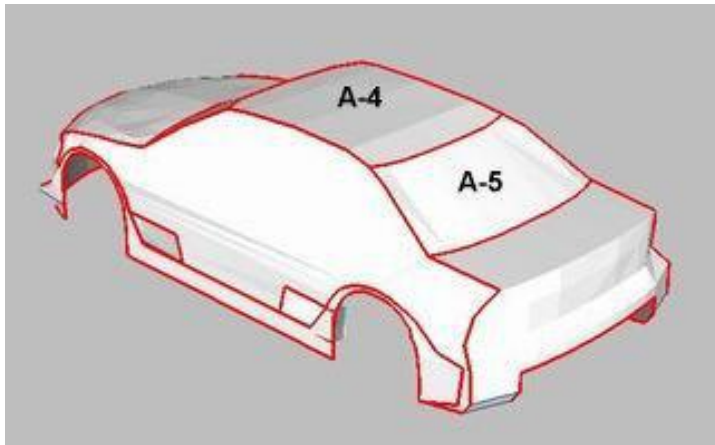
step008



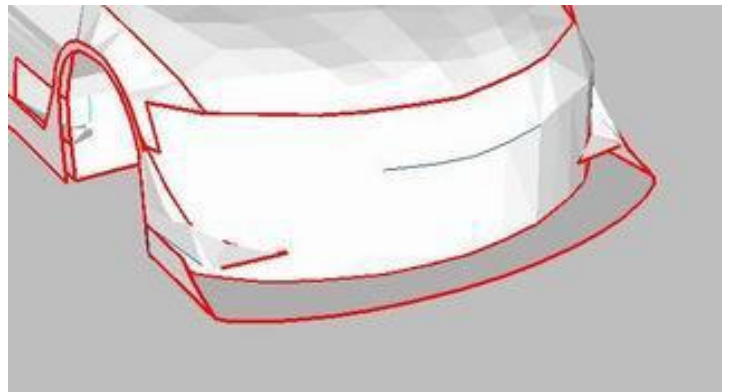
step009



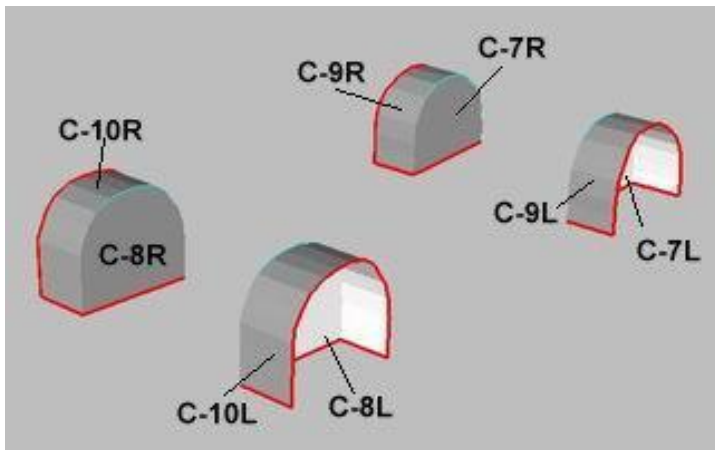
step013



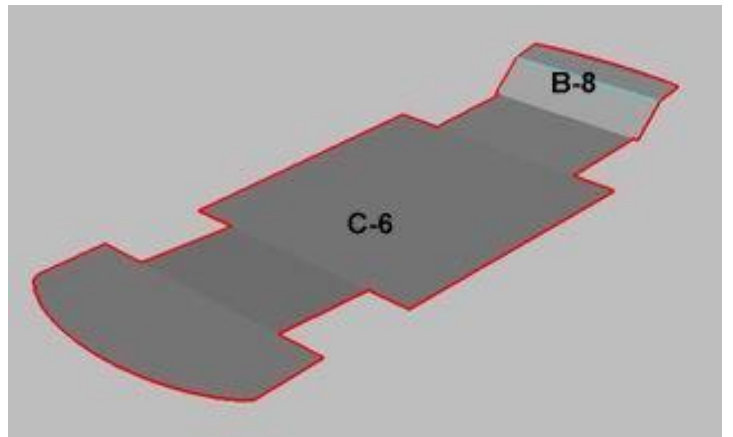
step010



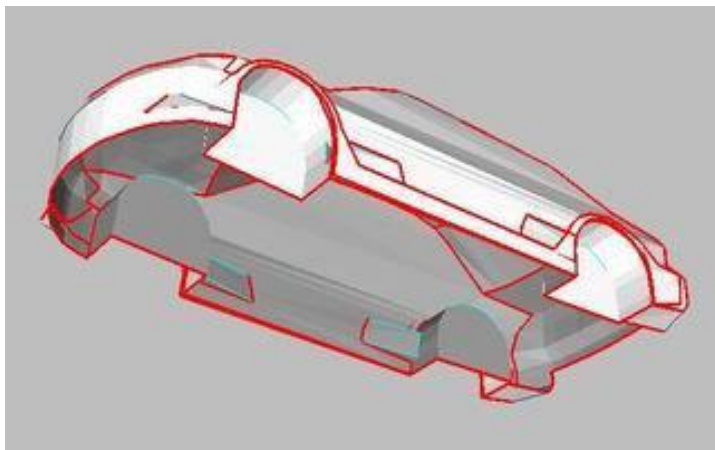
step014



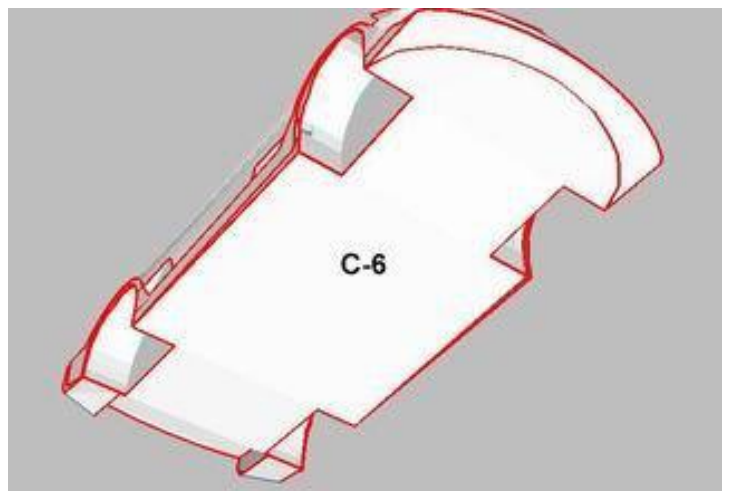
step011



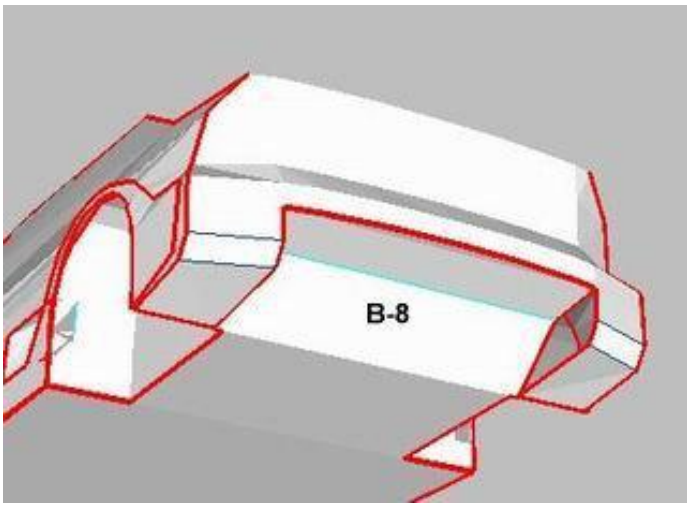
step015



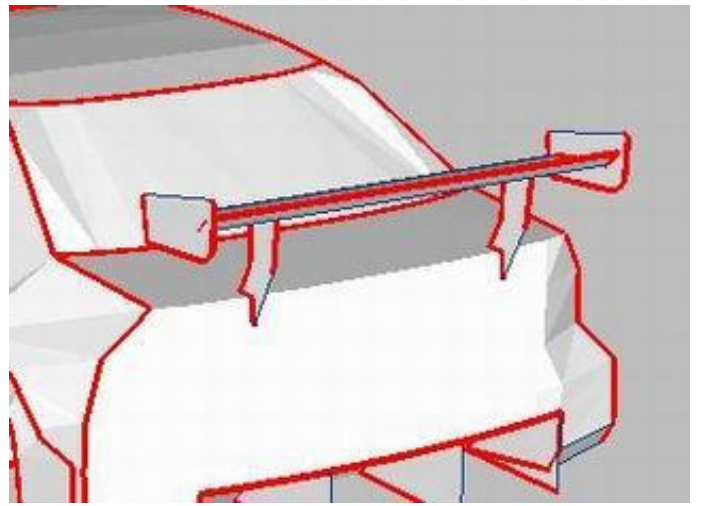
step012



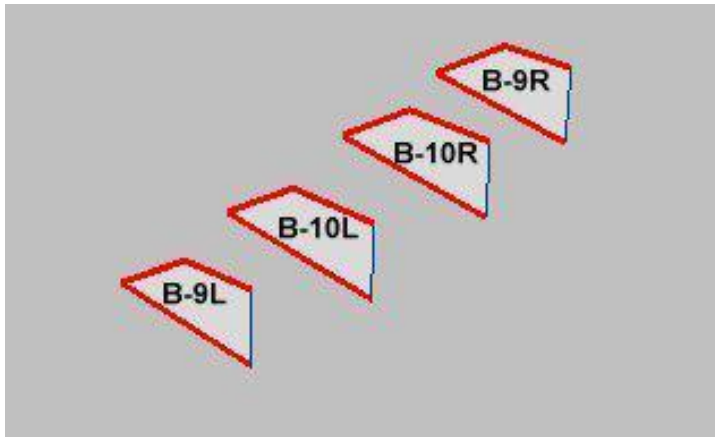
step016



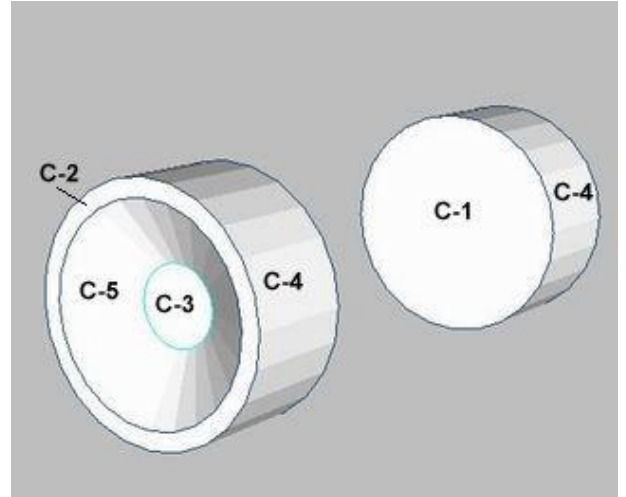
step016a



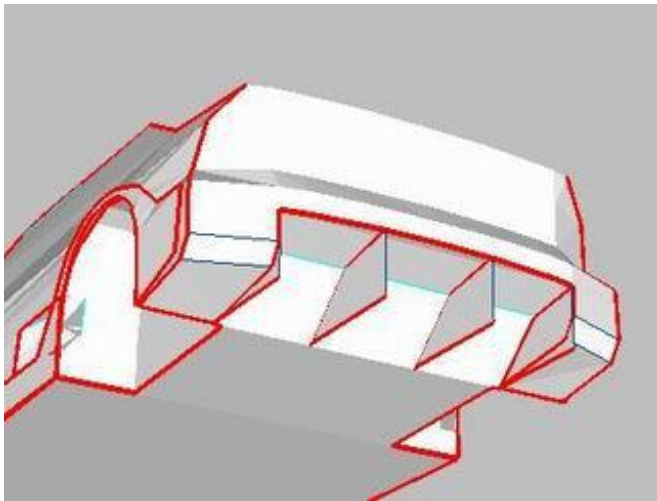
step020



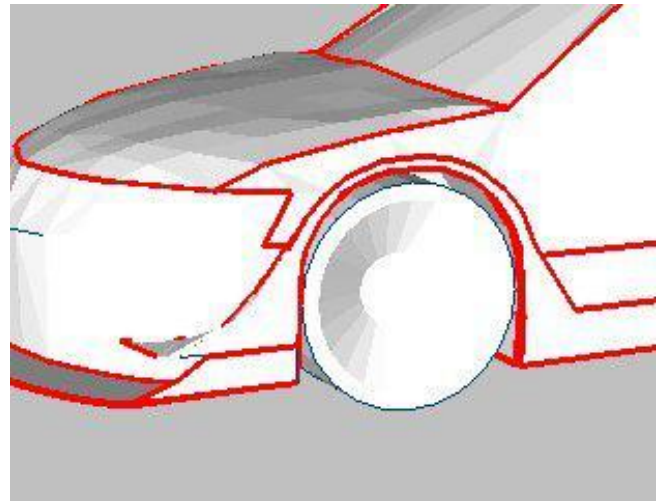
step017



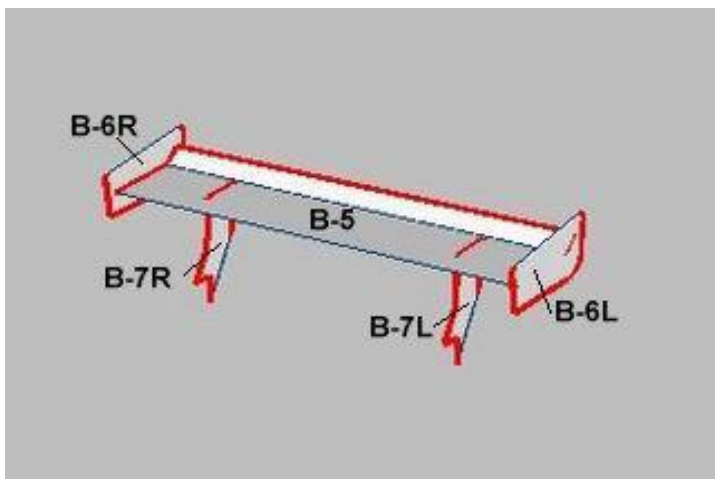
step021



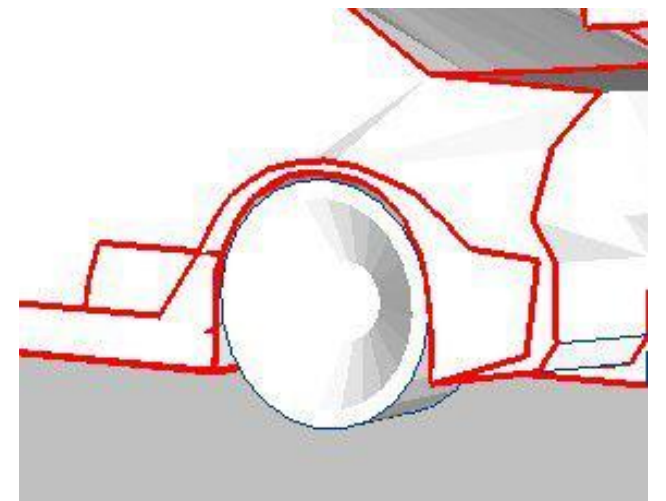
step018



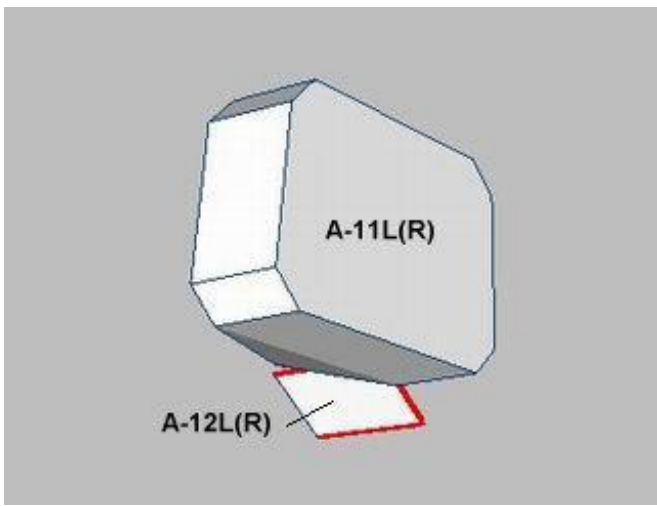
step022



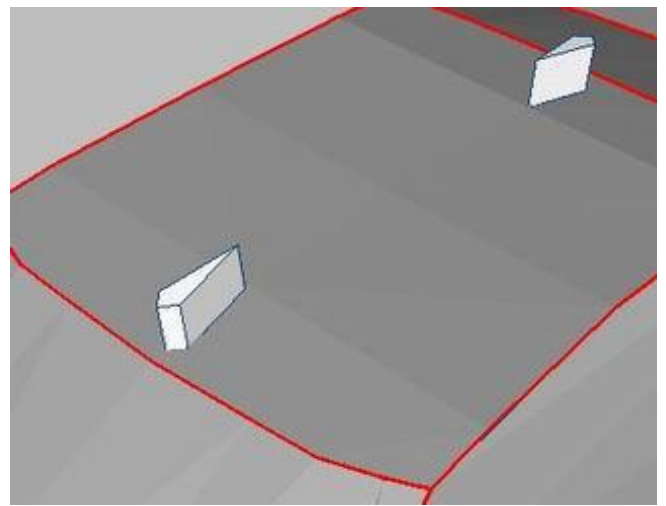
step019



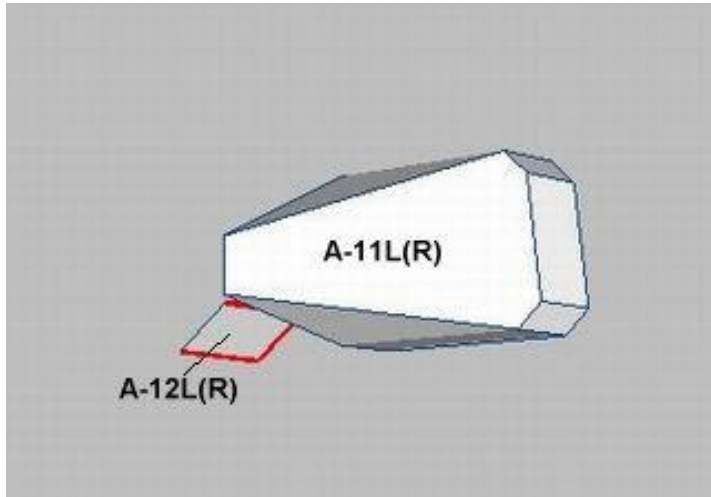
step023



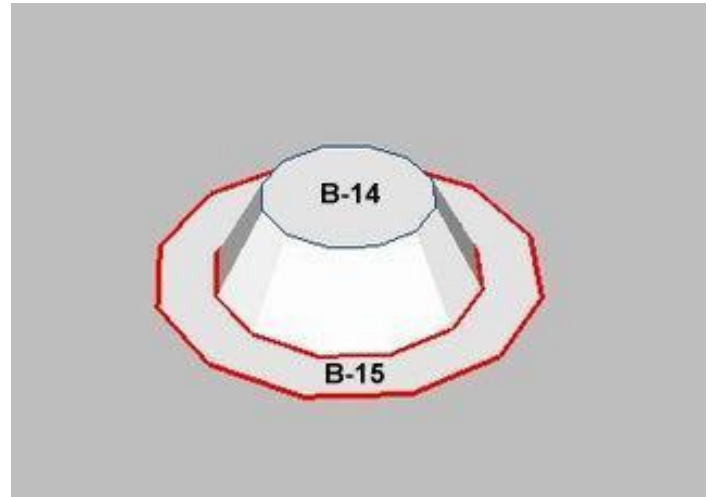
step024



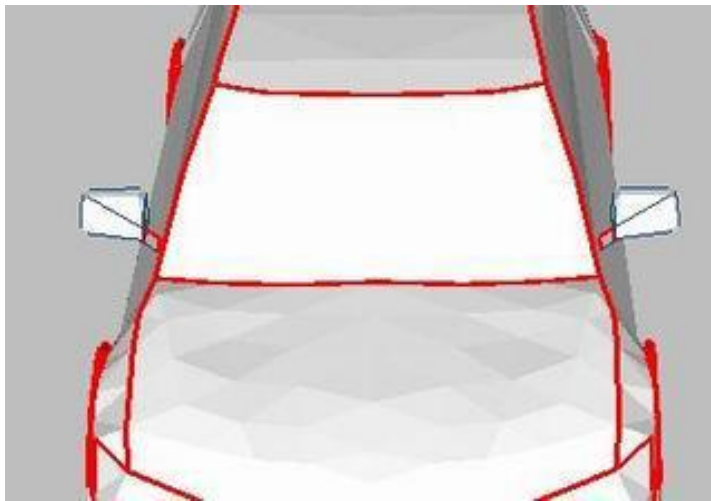
step027



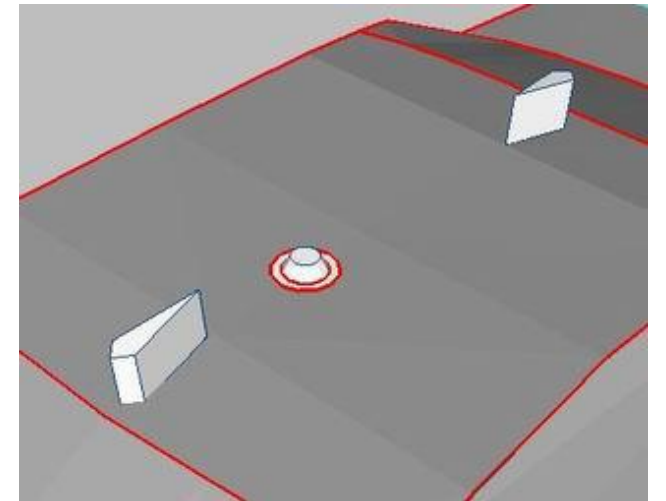
step024a



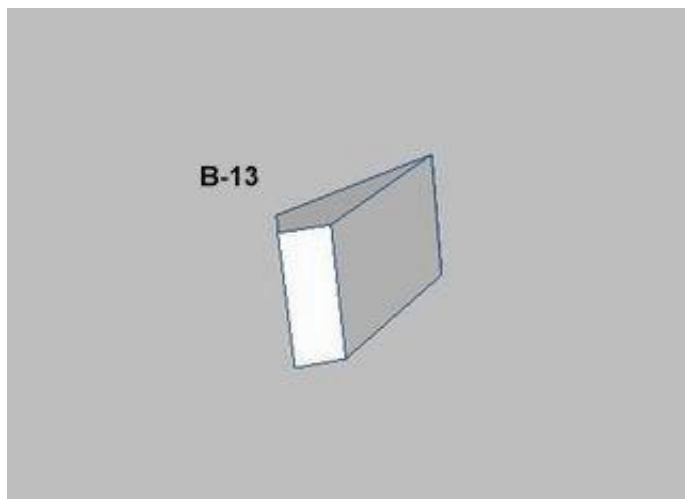
step028



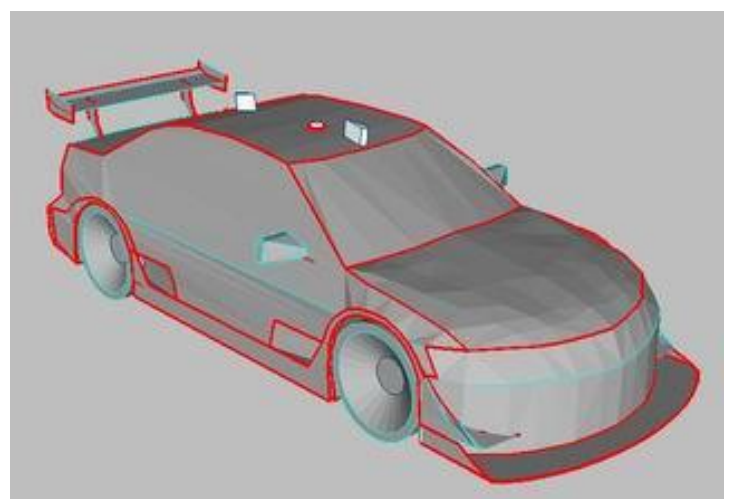
step025



step029



step026



step030